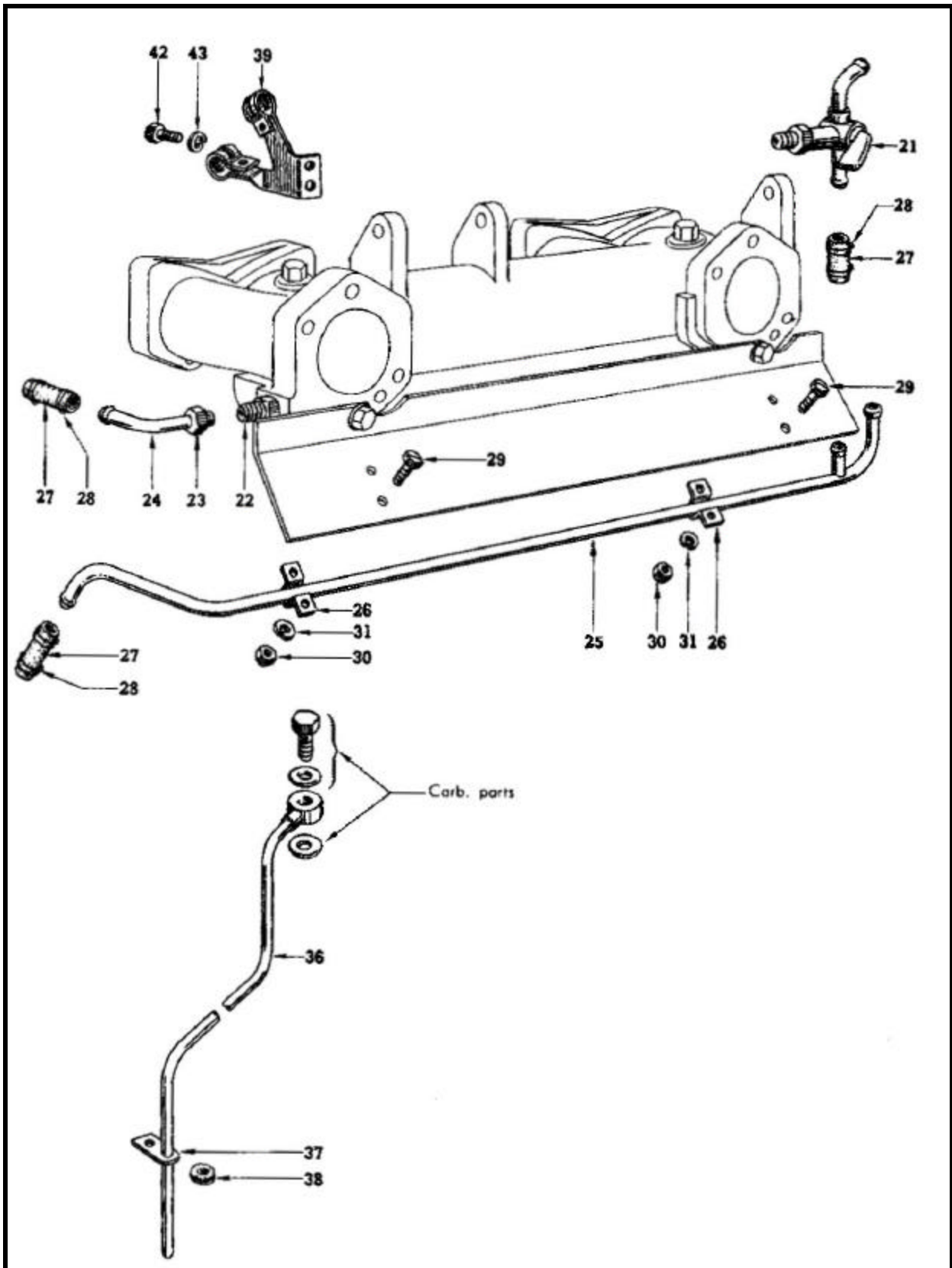


MANIFOLD

FIG 6-B



ILL No.	PART No.	PART NAME	Quantity SP310 / SPL310		FORMER PART No.
MANIFOLD					
1	14003-12251	MANIFOLD - intake	1	1	14003-10400
2	9-33125	PLUG - welch (25 Ø)	2	2	11120-10460
3	2-14628	STUD (to fix carburetor)	4	4	2-14626
4	9-31208	PLUG - taper thread	1	1	
5	9-31302	PLUG	1	1	11120-10460
6	14060-12202	ASS'Y - MANIFOLD, exhaust	2	2	14004-10400
Manifold to cylinder head					
7	9-11145-1	NUT	6	6	(9-11145-1)
8	9-15415	WASHER - plain	2	2	9-15115
9	1-21535	SCREW - cap	4	4	(1-21535)
10	14037-32200	YOKE - manifold	6	6	(14037-32200)
11	14035-12200	GASKET - manifold (to cylinder head)	1	1	14035-32200
12	14034-32200	COLLER - intake manifold	2	2	(14034-32200)
13	14065-12200	SUPPORT - manifold	1	1	
14	14041-12201	INSULATOR - exhaust manifold	1	1	
15	14066-12200	BAR - exhaust manifold	-	11	
16	1-14516-1	BOLT	2	2	
17	9-15114	WASHER - lock	2	2	
18	14330-12201	PLATE - heat shield, carburetor	1	1	14330-10400
19	1-11514-l	BOLT	4	4	1-11410
20	9-15114	WASHER - lock	4	4	9-15114
21	14050-12200	COCK - three way	1	1	

ILL No.	PART No.	PART NAME	Quantity SP310 / SPL310		FORMER PART No.
Manifold to cylinder head					
22	7-12152	CONNECTOR	1	1	
23	14052-12200	NUT	1	1	
24	1405312200	TUBE - manifold to cylinder head	1	1	
25	14054-12200	TUBE - manifold to water pump	1	1	
26	14055-12200	CLAMP - water tube	2	2	
27	14056-12200	HOSE - water	3	3	
28	7-21119	CLAMP - hose	6	6	
29	3-11008-1	SCREW	4	4	
30	9-11110-1	NUT to fix water tube clomp	4	4	
31	9-15110	WASHER - lock	4	4	
32	16174-12202	INSULATOR - carburetor	2	2	16174-10441
33	9-15115	WASHER - lock	8	8	9 - 15116
34	9-11145	NUT	8	8	9 - 11146
35	9-15415	WASHER - plain	4	4	
36	16031-12201	ASS'Y - TUBE, over now, carburetor	2	2	
37	14012-10400	BRACKET - drain tube	2	2	
38	18455-30000	RUBBER - ferrule	2	2	
39	16376-12200	BRACKET - accelerator wire 6 tube	1	1	
40	16020-12200	CONNECTOR - tube	1	1	
41	16175-12201	GASKET - insulator, carburetor	2	2	
	16176-12201	GASKET - insulator, carburetor	2	2	
42	3-69012	SCREW	4	4	
43	9-15110-1	WASHER - lock	4	4	