

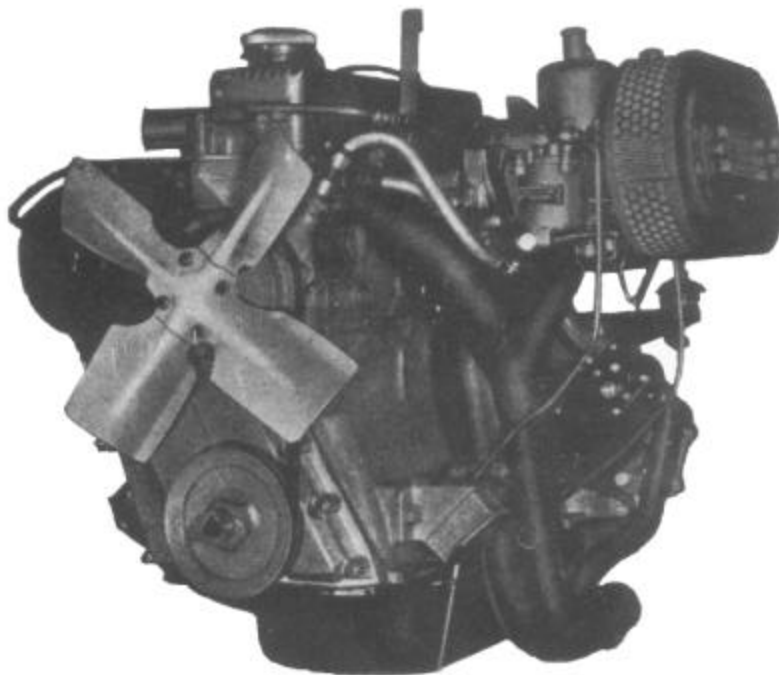
DATSUN FAIRLADY
PARTS CATALOG
MODEL SP310 -SPL310

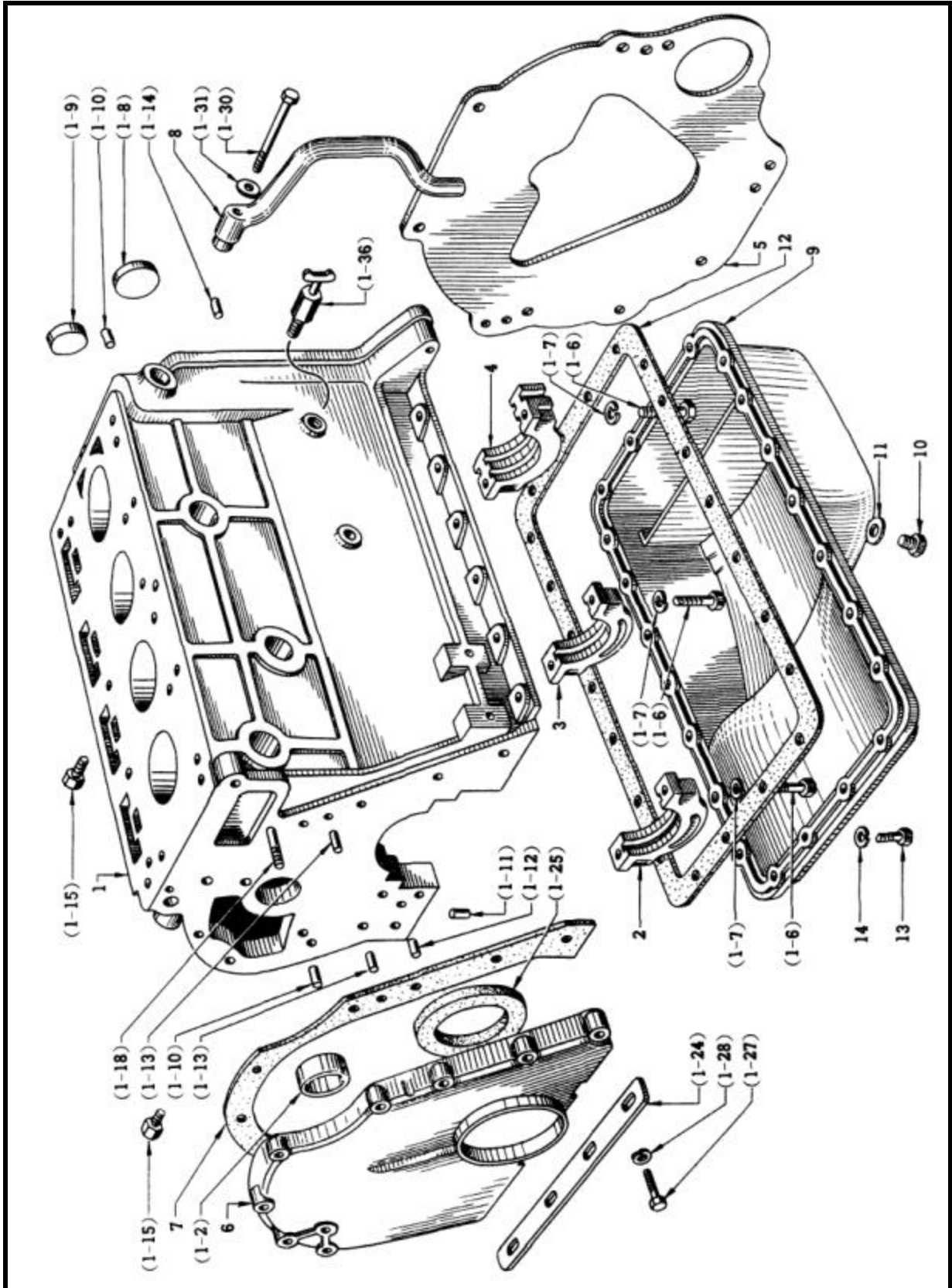
CHASSIS

ILL No.	PART No.	PART NAME	Quantity SP310 / SPL310	FORMER PART No.
------------	----------	-----------	-------------------------------	--------------------

ENGINE

10000-12250	ASS'Y - ENGINE, with transmission	1	-	10000-10450
10000-12251	ASS'Y - ENGINE, with transmission	u l	-	10000-10550
10000-12350	ASS'Y - ENGINE, with transmission	-	1	10000-10550
10001-12250	ASS'Y - ENGINE, with clutch	1	-	10001-10450
10001-12251	ASS'Y - ENGINE, with clutch	u l	-	10001-10550
10001-12350	ASS'Y - ENGINE, with clutch	-	1	10001-10550





ILL No.	PART No.	PART NAME	Quantity SP310 / SPL310		FORMER PART No.
CYLINDER					
1	11010-37000	ASS'Y - BLOCK, cylinder	1	1	11010-32225
2	12282-32200	CAP - crank shaft bearing, front	1	1	(12282-32200)
3	12283-32200	CAP - crank shaft bearing, middle	1	1	(12283-32200)
4	12286-34200	CAP - crank shaft bearing, rear	1	1	12286-32200
CYLINDER FITTING					
5	30411-38200	PLATE - engine, rear	1	1	30411-32200
6	13036-61000	COVER - timing chain	1	1	13035-32200
2	13044-32201	GASKET - timing chain cover.....	1	1	13044-32200
8	15262-12200	ASS'Y - TUBE, breather	1	1	15262-10400
	15140-12200	ASS'Y - GAUGE, oil level	1	1	15140-32200
OIL PAN					
9	11110-12200	ASS'Y - PAN, oil	1	1	11110-32200
10	11120-61000	PLUG - drain, oil	1	1	11120-30000
11	11026-30000	WASHER - drain plug	1	1	11026-30000
12	11121-30001	GASKET - oil pan to cylinder block	1	1	11121-32200
13	1-11422-1	BOLT	2	2	(1-11422-1)
	1-11416-1	BOLT	22	22	(Q'ty only)
14	9-15114-1	WASHER - lock	22	22	(9-15114-1)